

CT2, CT3

8-pin and 11-pin Timecube®

Time functions (Function diagrams: refer to page 148)

Operating voltage controlled types

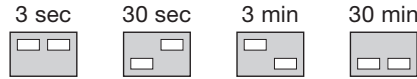
CT2- / CT3-E30: Function E, on delay
 CT2- / CT3-W30: Function W, one shot
 CT2- / CT3-B30: Function B, blinker

Trigger input controlled types

CT2- / CT3-A30, off delay
 CT2- / CT3-K30, pulse shaping

Time data

4 partial time ranges (DIP switch)



Fine adjustment time range (rotary knob)

$t_{min} \dots t_{max}, 2 \dots 30$

Time range tolerance

$t_{min}: 0 \dots + 35 \%$

Repetition accuracy

$\pm 0.5 \% \text{ or } \pm 20 \text{ ms}$

Reset time

$\leq 200 \text{ ms}$

Reset time B1 (trigg. inp.) A, K

$\leq 80 \text{ ms}$

Voltage failure buffering

5 ms (except the relay)

Power supply- and control input (UC = AC or DC)

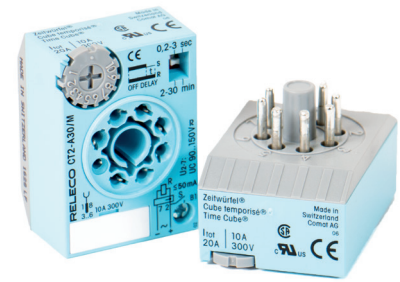
CT2- / CT3- ... / S	DC 9.5 ... 18 V	12 mA
CT2- / CT3- ... / L	UC 20 ... 65 V	6 mA
CT2- / CT3- ... / M	UC 90 ... 150 V	2 mA
CT2- / CT3- ... / U	UC 180 ... 265 V	2 mA
CT2- / CT3- ... / H	UC 90 ... 265 V	2 mA
Residual current E, W, B	$\leq 0.3 \text{ mA}$	
Residual current B1 (trigg. inp.) A, K	$\leq 0.2 \text{ mA}$	

Specifications

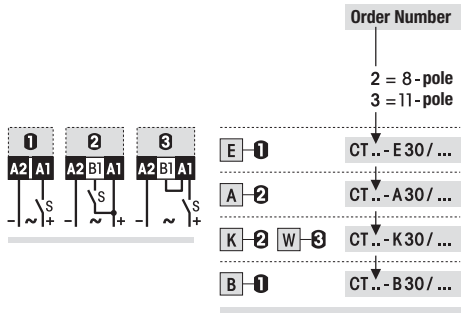
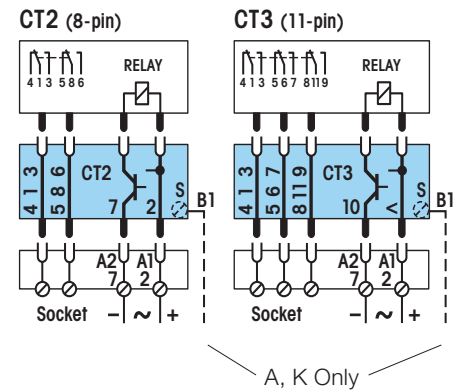
Ambient temperature storage / operation	-40 ... +70 °C / -25 ... +60 °C (no ice)
Protection degree	IP40
Housing material	Lexan
Weight	35 g
Mounting	Socket

Product References

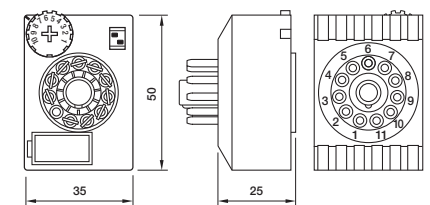
8 pole	11 pole	Voltage
CT2-E30/S CT2-B30/S CT2-A30/S CT2-K30/S	CT3-E30/S CT3-B30/S CT3-A30/S CT3-K30/S	DC 9.5...18 V
CT2-E30/L CT2-B30/L CT2-A30/L CT2-K30/L	CT3-E30/L CT3-B30/L CT3-A30/L CT3-K30/L	UC 20...65 V
CT2-A30/M CT2-K30/M	CT3-A30/M CT3-K30/M	UC 90...150 V
CT2-A30/U CT2-K30/U	CT3-A30/U CT3-K30/U	UC 180...265 V
CT2-E30/H CT2-B30/H	CT3-E30/H CT3-B30/H	UC 90...265 V



Wiring diagram



Dimensions



Only 11-pin version shown.
 The dimension of the 8-pin version are identical

Technical approvals, conformities

